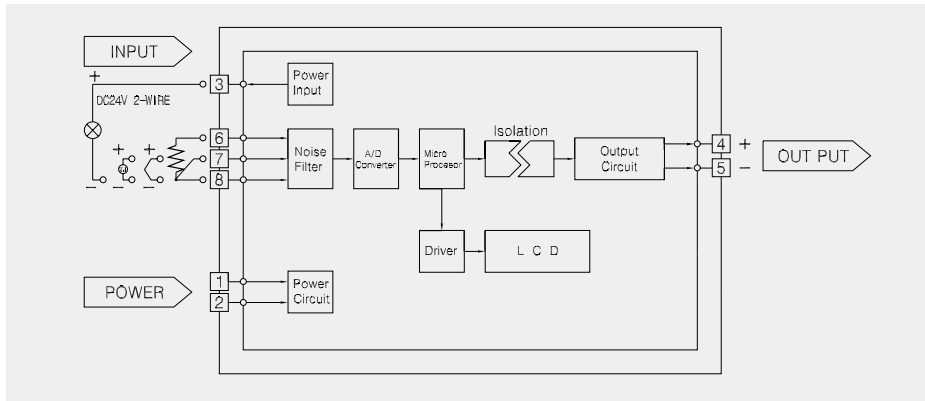
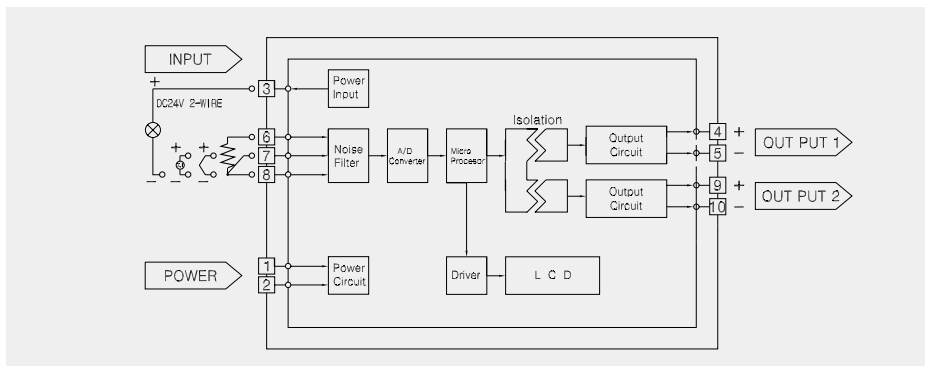


BLOCK DIAGRAM

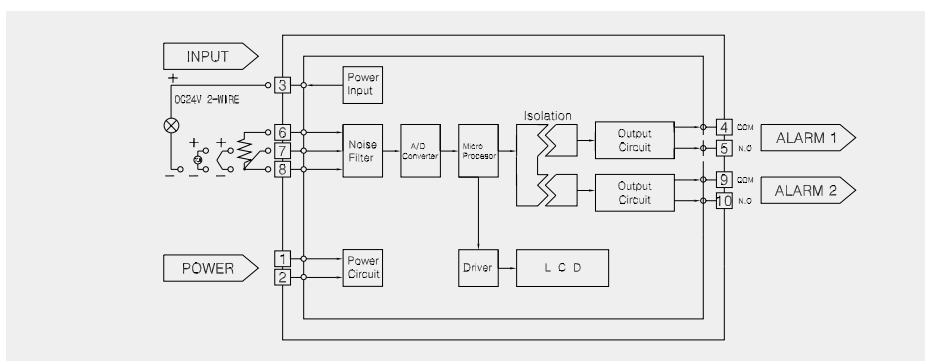
1 Point Output



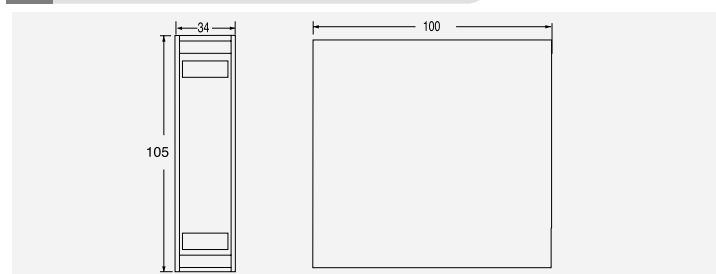
2 Point Output



Alarm Output



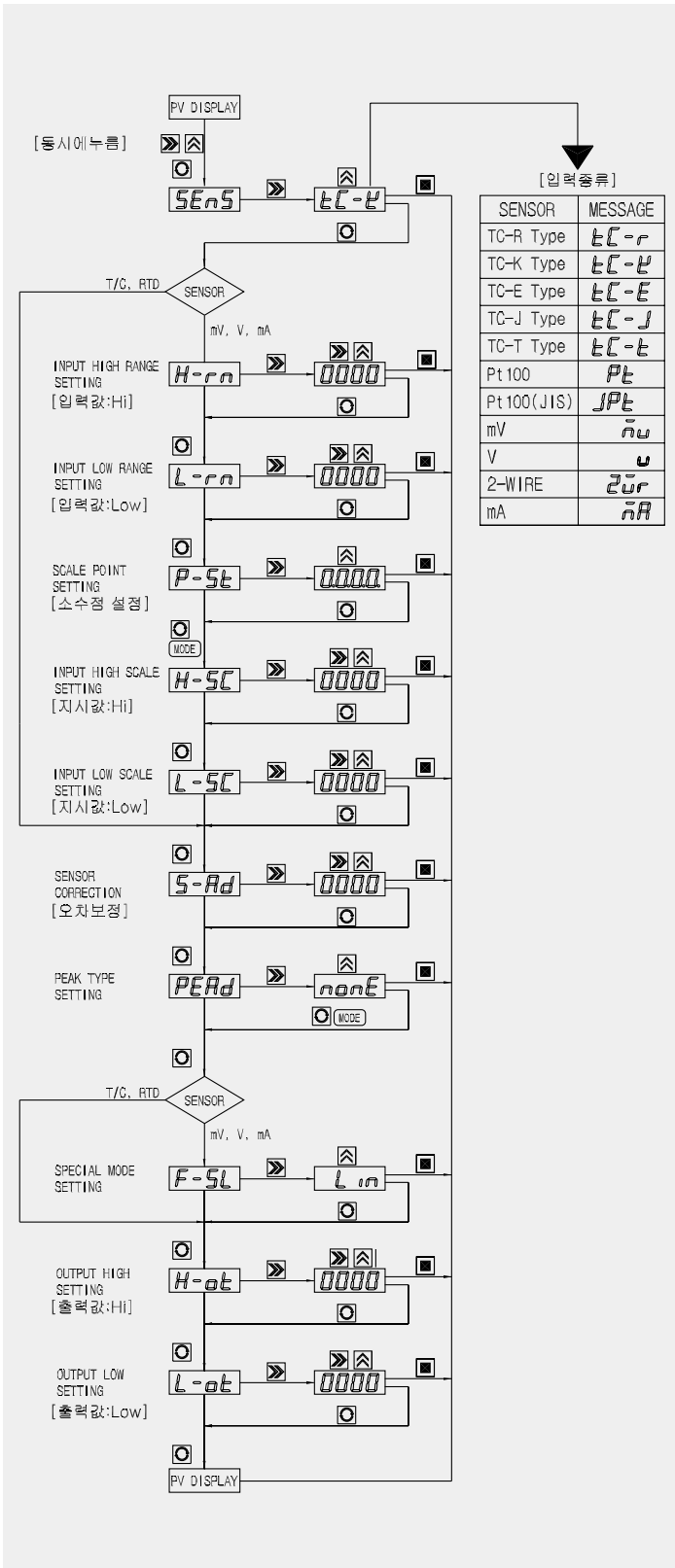
DIMENSIONS (scale:mm)



SIGNAL CONVERTER

SD-100

설정방법



설정방법(Alarm Output)

